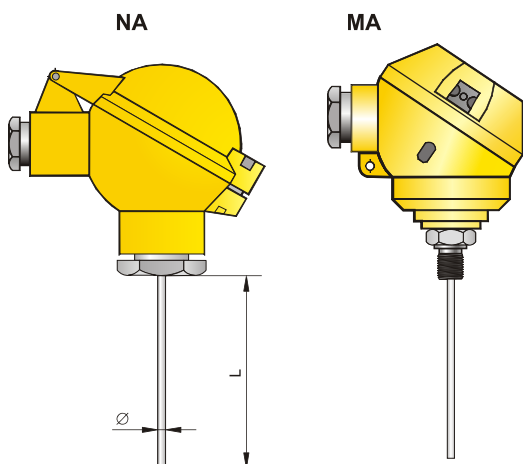


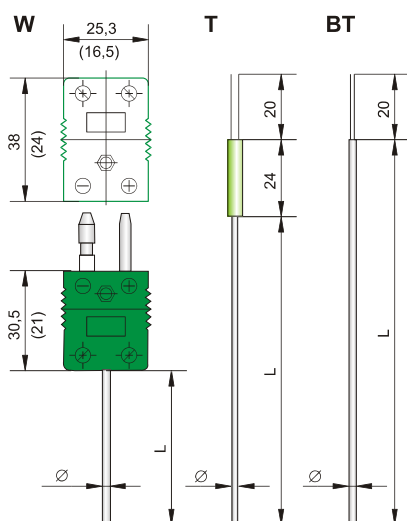
Temperature sensor type CT X



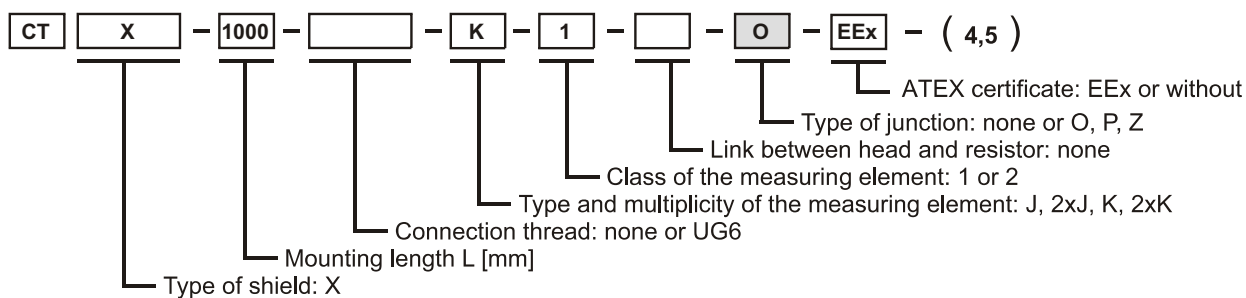
TECHNICAL DATA:

- Measuring range:
K (NiCr-NiAl) / Inconel: up to 1000 [°C]
J (Fe-CuNi) / Inconel: do 800 [°C]
- Admissible load:
4 [MPa]
- Material of wetted parts:
I - Inconel
- Standard immersion length L:
following the demand
- External mantle diameter Ø:
3; 4,5; 6 [mm]
- Minimal bending radius: 2 x Ø
- Time constant:

Średnica	Isolated junction		Grounded junction	
	T _{0.5} [s]	T _{0.9} [s]	T _{0.5} [s]	T _{0.9} [s]
Ø=3	≤ 0.5	≤ 1.5	≤ 0.35	≤ 1.2
Ø=6	≤ 2.5	≤ 6.0	≤ 0.8	≤ 2.5



Ordering procedure:



ADDITIONAL INFORMATION:

- * Non-standard length of temperature sensors on demand.
- The mantled thermocouples should be ordered with the specification of the external diameter 3; 4,5 or 6 [mm].
- Please indicate the type of head: NA, MA, W, T or BT in brackets.

CT X - 2000 - UG6 - K - 1 - - O - EEx - (6, W)

- To specify temperature sensor with the head - mounted transmitter please add code of transmitter at the end of ordering code of sensor (see chapter X) e.g.

CT X - 5000 - - K - 1 - - O - EEx - (X/0÷700; 3; Na)